

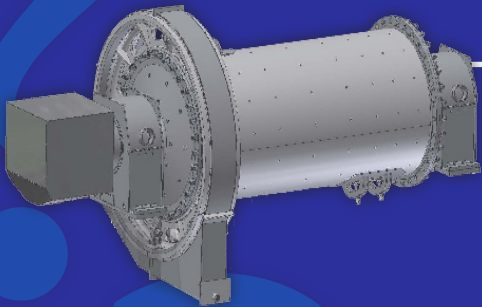
Fill-in the blanks TEST:

IF your equipment broke right now...

- How **long** will it take you to get back into production? _____
- How **much** will it cost you? _____
- What about **lost** production? _____
 - How much is that **worth**? _____

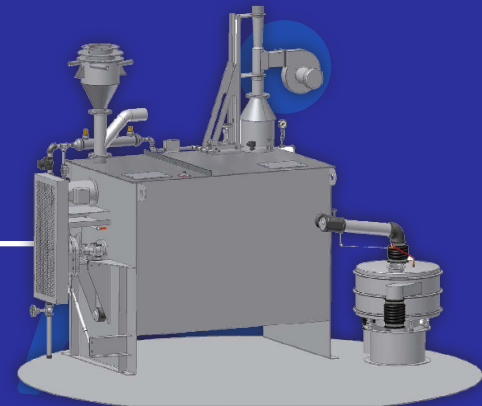
Be prepared.

Check your **stock & backup** parts:



- **BALL MILLS**

gears
mill heads
liners

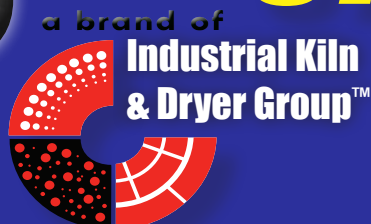


- **SLAKERS**

bearings
agitators
controls



VULCAN
IRONWORKS



a brand of

Industrial Kiln
& Dryer Group™

877-316-6140

Ask for Vulcan. Call us today!

12711 TOWNEPARK WAY • LOUISVILLE KY 40243
WWW.INDUSTRIALKILN.COM